

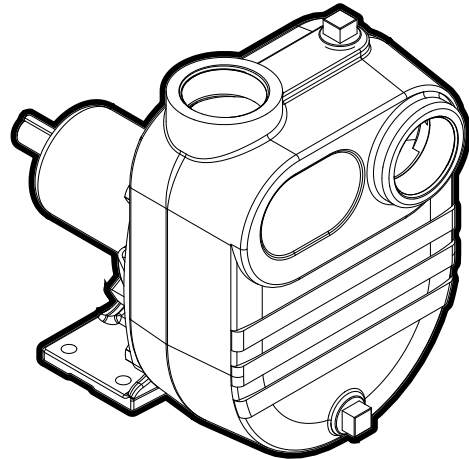
CENTRIFUGAL PUMPS

SELF-PRIMING FBSTF

FPS

FEATURES

- Volute: Cast iron rugged construction with tapped openings provided for priming, venting, and draining
- Impeller: Semi-open cast iron, non-clogging with blind hole for shaft protection
- Seal: Standard carbon/ceramic faces, Viton® elastomers, 300 series stainless components
- Shaft: One piece, high strength steel for easy mounting
- Bearing Frame: For belt or direct drive with heavy sealed bearings and a keyed stainless shaft



SPECIFICATIONS

- Capacities to 250 gpm
- Heads to 80 feet
- 120 psi maximum working pressure
- 200 °F maximum temperature
- Clockwise rotation when viewed from motor end
- NPT pipe connections
- 1-1/4" discharge, 1-1/4" suction
- 2" discharge, 2" suction
- 3" discharge, 3" suction

Viton® is a registered trademark of E. I. du Pont de Nemours and Company.

APPLICATIONS

- Irrigation
- Construction
- Mining
- Commercial
- Municipal
- Light Industrial



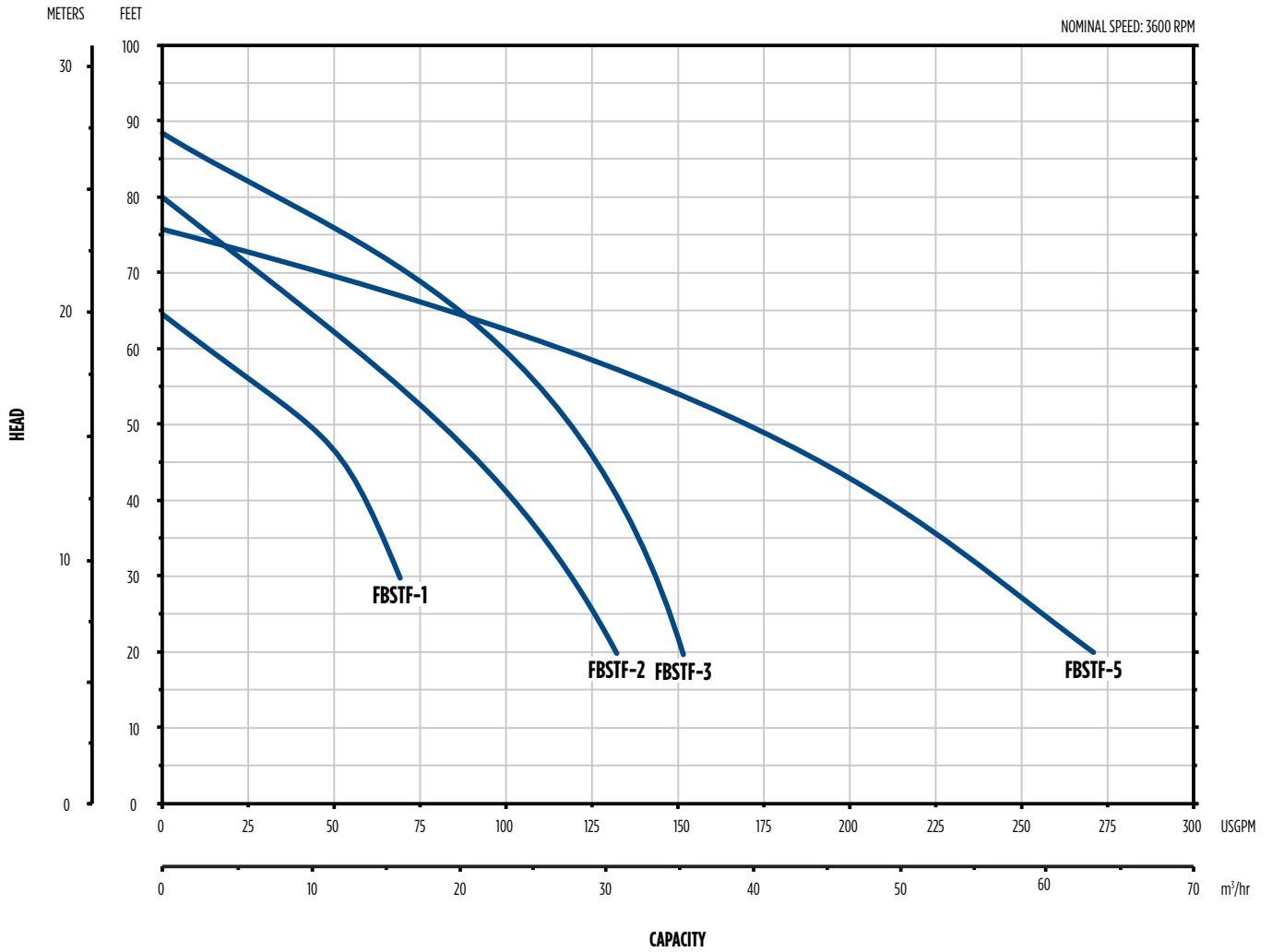
Franklin Electric

CENTRIFUGAL PUMPS

SELF-PRIMING FBSTF



PERFORMANCE

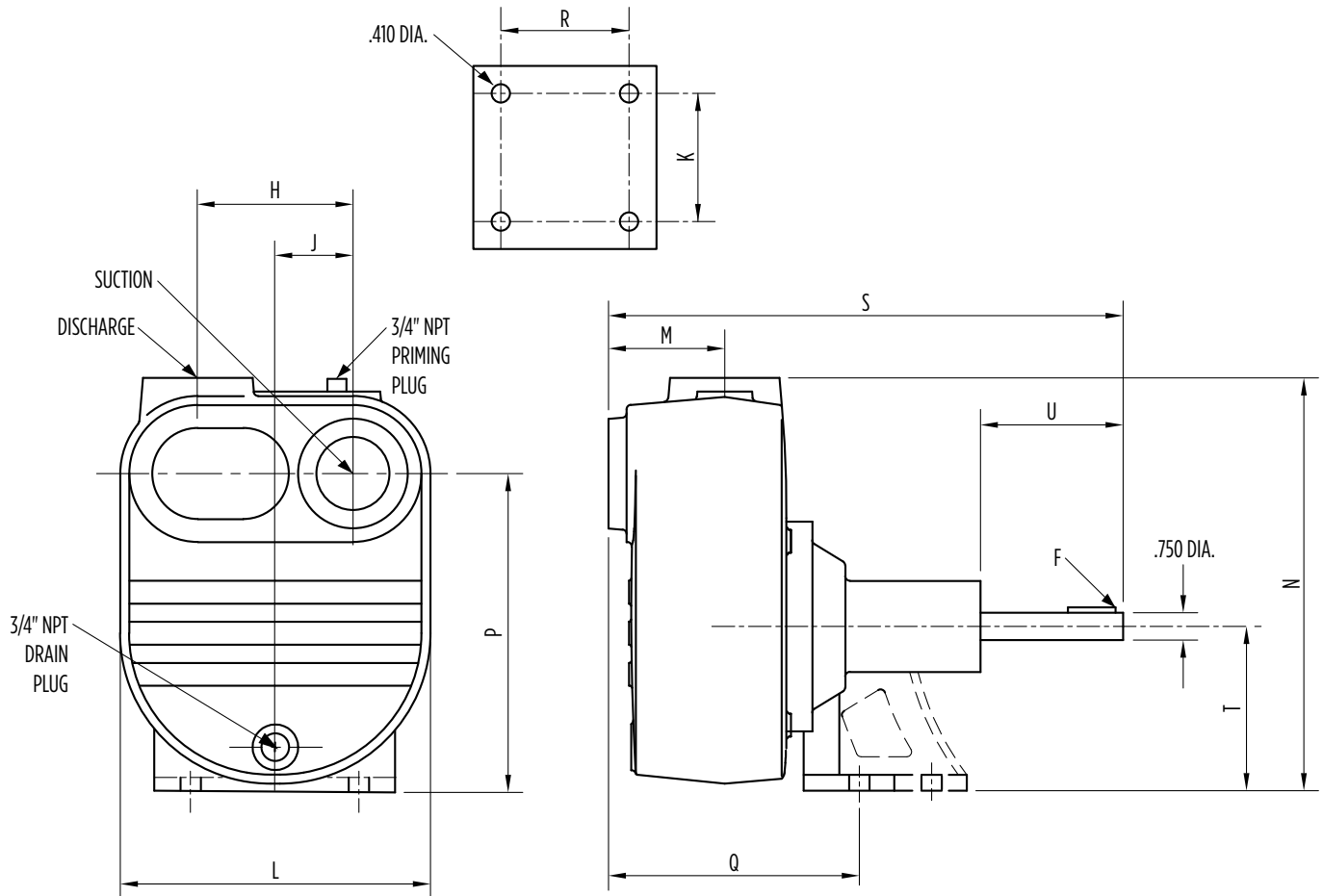


CENTRIFUGAL PUMPS

SELF-PRIMING FBSTF



DIMENSIONS



Model	Suction [NPT]	Discharge [NPT]	Keyway F	H	J	K	L	M	N	P	Q	R	S	T	U
FBSTF-1	1-1/4	1-1/4	.19 x .19 x .75	4.00	2.00	4.25	7.50	3.20	10.50	8.10	6.40	-	10.30	4.50	1.36
FBSTF-2	2	2		4.25	2.13	4.00	8.50	3.20	11.50	8.90	6.70	-	10.60	4.50	1.36
FBSTF-3	2	2		4.25	2.13	4.00	8.50	3.20	11.40	8.40	6.90	2.00	12.10	4.50	1.74
FBSTF-5	3	3		3.62	2.00	4.00	9.30	4.60	13.40	9.80	8.90	2.00	14.10	4.50	1.74

Note: Dimensions are for estimating purposes only. All dimensions in inches.

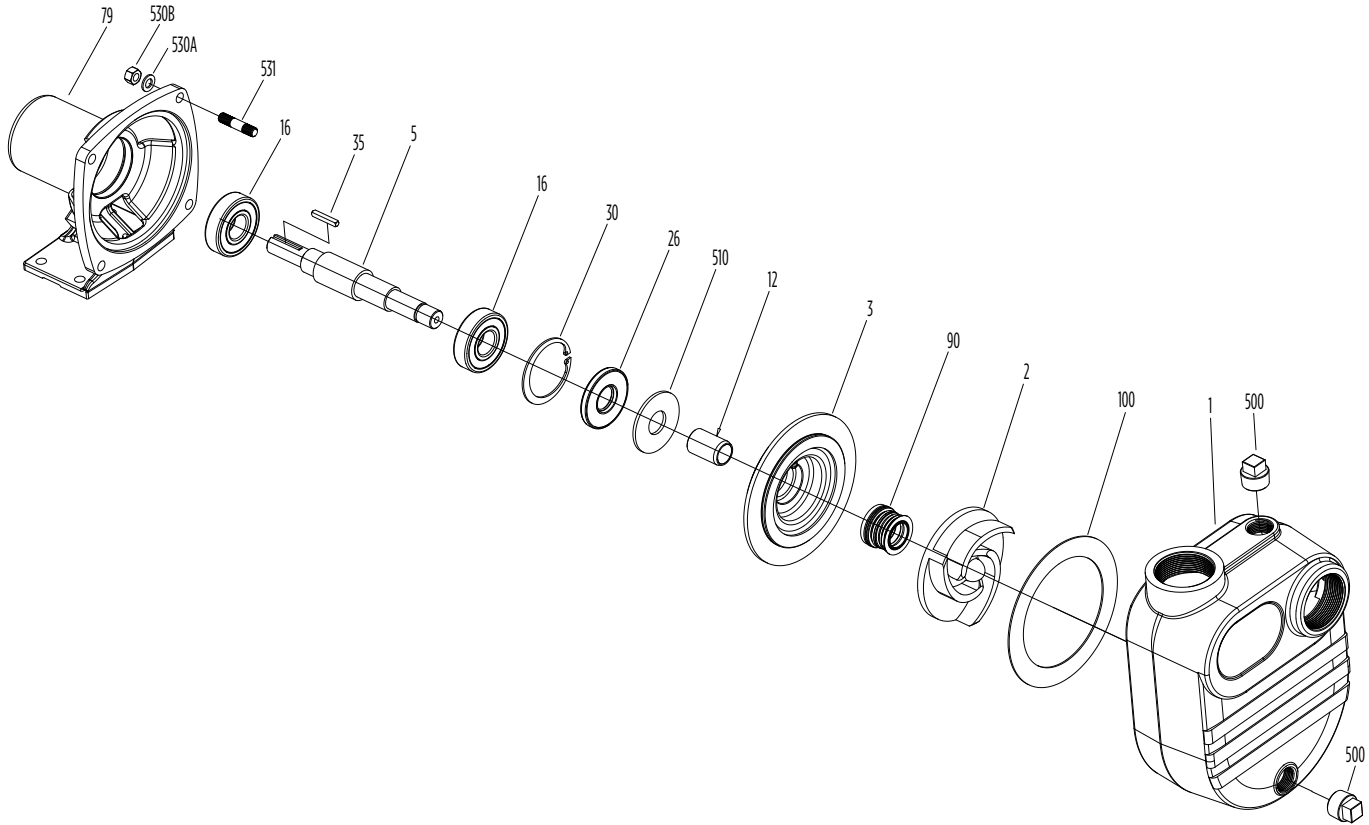
ORDERING INFORMATION

Model	HP	Suction/Discharge	Order No.	Wt. [lbs]
FBSTF-1	1	1-1/4" x 1-1/4"	90253001	18
FBSTF-2	2	2" x 2"	90253002	
FBSTF-3	3	2" x 2"	90253003	
FBSTF-5	5	3" x 3"	90253004	

Note: All dimensions in inches. Pump end kits (less power).

CENTRIFUGAL PUMPS

SELF-PRIMING FBSTF



MATERIALS AND PARTS

Fig. No.	Part Description	Part No.				Materials of Construction
		FBSTF-1	FBSTF-2	FBSTF-3	FBSTF-5	
1	Pump Case	305461001	305461002		305461015	Cast Iron, ASTM-A48 CL30
2	Impeller	305461005	305461007	305461016	305461017	Cast Iron, ASTM-A48 CL30
3	Seal Plate	N/A	N/A	305461018	305461019	Cast Iron, ASTM-A48 CL30
5	Shaft	N/A	N/A	305453049		C1018120
5	Shaft and Bearing Assy.	305453011		N/A	N/A	Misc.
12	Sleeve	N/A	N/A	305453051		304 Stainless Steel
16	Ball Bearing (2-pack)	N/A	N/A	305463180		Misc.
26	Lip Seal	N/A	N/A	305463139		Nitrile (Buna)
30	Retaining Ring	305463027		305463181		Steel
35	Shaft Key	305463028		305453028		301 Stainless Steel
79	Transmission Head	305461021	305461022	305453048		Cast Iron, ASTM-A48 CL30
90	Mechanical Shaft Seal	305463029		305463193		Carbon/Ceramic/Buna/316SS
100	Case Gasket	305463133	305463194		305463195	Nitrile
500	Pipe Plug NPT (3-pack)	305463050				CAD Plated Steel
510	Water Slinger	305453013		305453050	N/A	300 Series Stainless
530A	Lockwasher (8-pack)	305463032				Zinc Plated Steel
530B	Nut, Hex (8-pack)	305463033				Zinc Plated Steel
531	Bolt/Threaded Stud (4-pack)	305463053	305463196			Zinc Plated Steel/18-8 SS

NOTES

SELF-PRIMING FBSTF



NOTES

SELF-PRIMING FBSTF





Franklin Electric